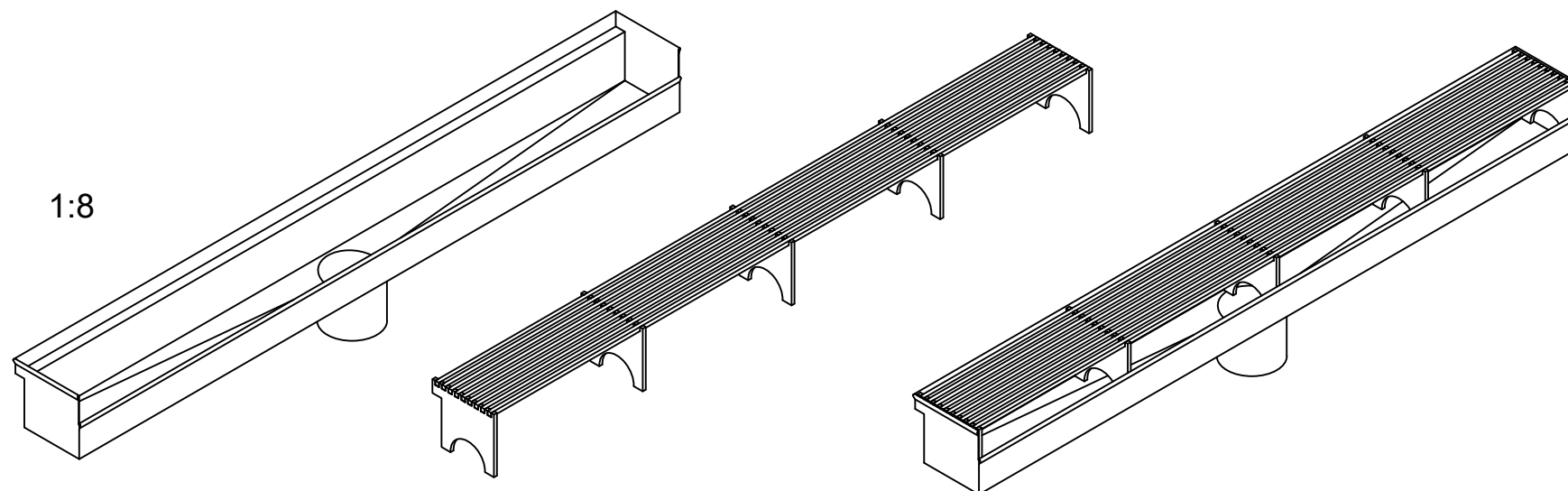
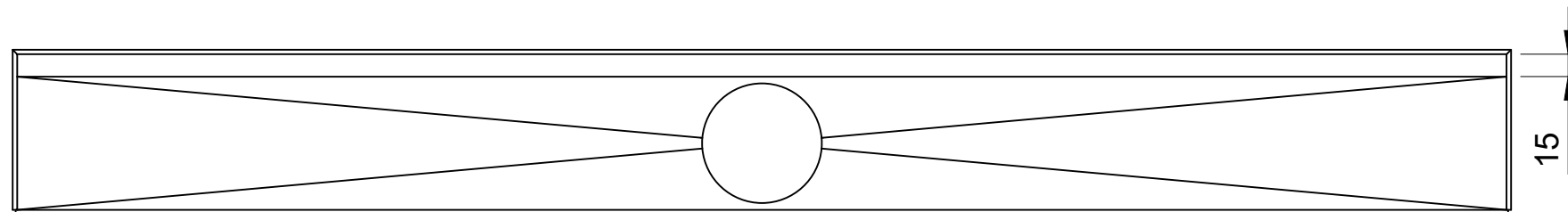



A (1:3)



Company Name:	 <b>ADVANCE</b> STAINLESS STEEL
<b>Advance Stainless Steel Pty Ltd</b> 8 Somerset Street, Minto NSW 2566	
Project:	
Client:	
Model Code:	ASS-TD-T1-SQ6
Model Name:	TD-T1-SQ6
Date:	
Sheet No.	
Scale:	1:4.5