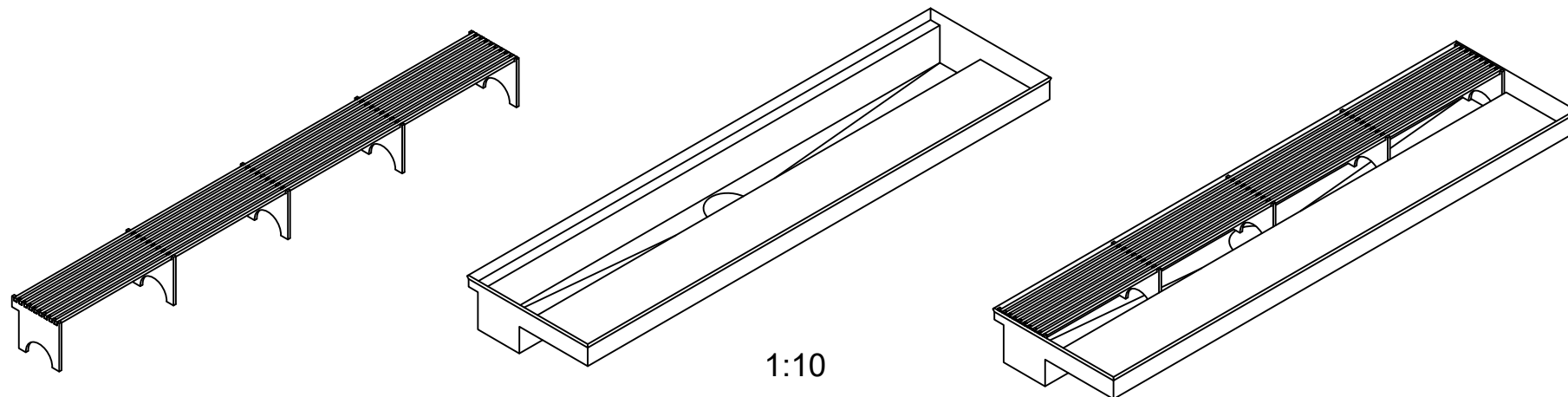
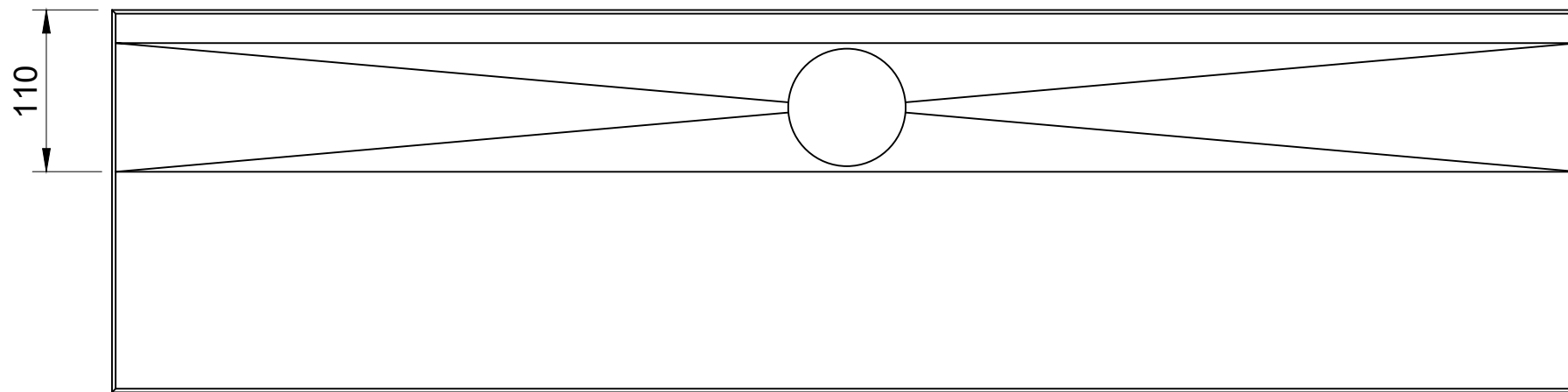



A (1:3)



Company Name:	 ADVANCE STAINLESS STEEL
Advance Stainless Steel Pty Ltd 8 Somerset Street, Minto NSW 2566	
Project:	
Client:	
Model Code:	ASS-TD-DT-SQ6
Model Name:	THRESHOLD DRAINAGE-DT-SQ6
Date:	
Sheet No.	
Scale:	1:4.5