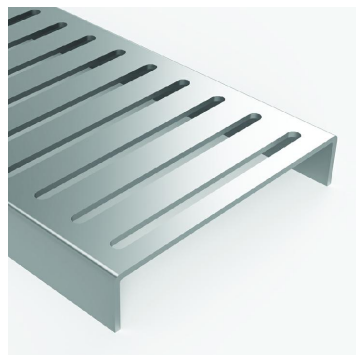
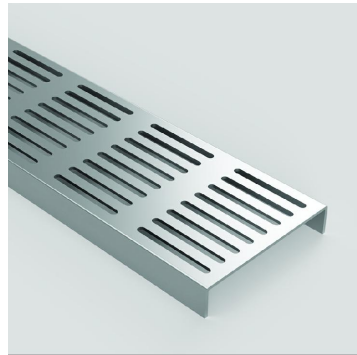


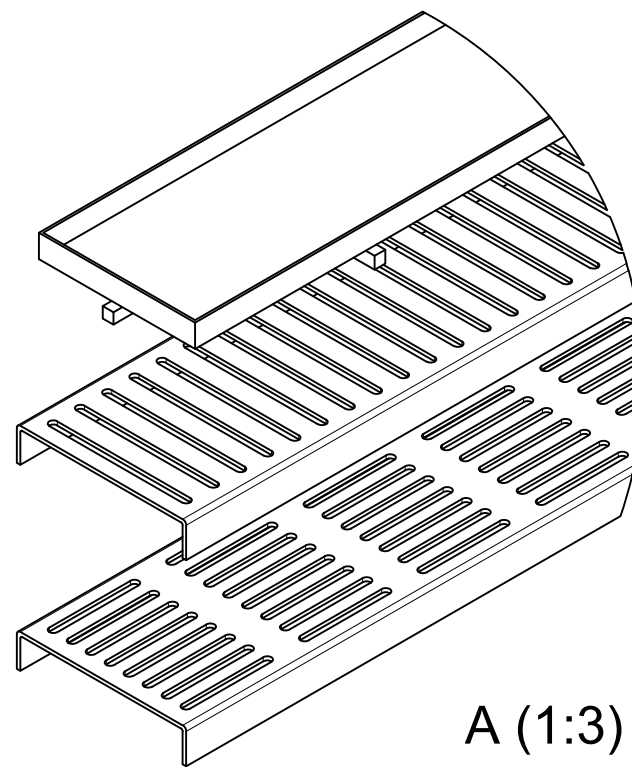
Tile Insert Tray
TIT




Vertical Slot
VS



Horizontal Slot
HS



A (1:3)

Company Name:	
Advance Stainless Steel Pty Ltd	
8 Somerset Street, Minto NSW 2566	
Project:	
Client:	
Model Code:	SGTIT, SGVS, SGHS
Model Name:	GRATING PROFILES FOR SG CHANNEL
Date:	
Sheet No.	
Scale:	1:4