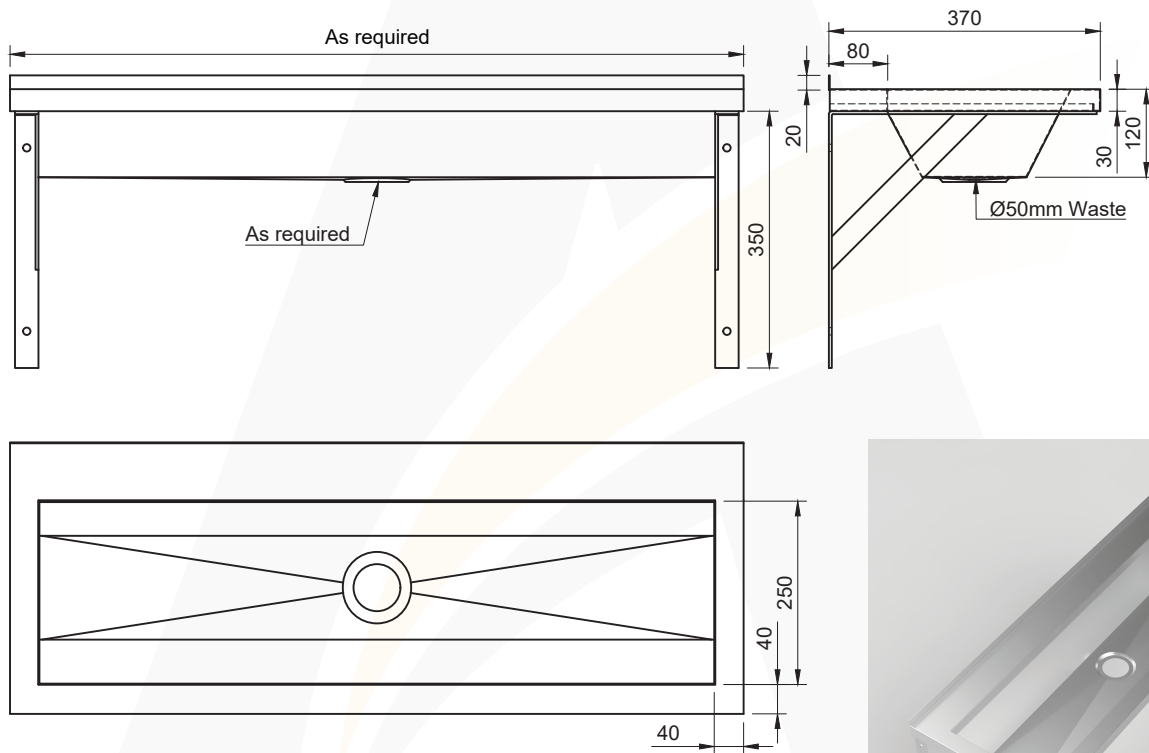




# WALLSEND PATTERN TROUGH

2



2.8



## SKU CODE: ASS-WPT

This quality custom made trough can be used to mount pillar taps and/or bubblers. It is supplied with wall mounting brackets for easy installation.

### SPECIFICATIONS:

- Made from 1.2mm and 304 grade stainless steel
- Outlet position and length as required
- Wall mounting brackets
- 50mm outlet
- Plug and waste provided

### USES:

- Educational facilities
- Sporting amenities





# SIGN-OFF FORM

Company: .....

Name: .....

Phone: .....

Email: .....

Purchase Order #: .....

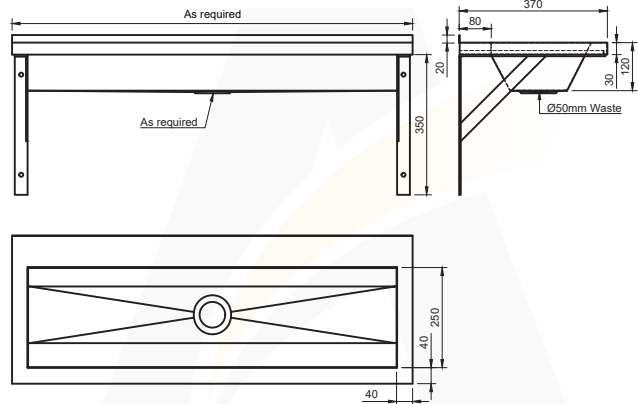
Date: ...../...../.....

Signature\*: .....

Quantity: .....

Length: .....

Stainless steel grade:  304       316 (extra charges)



## ASS-WPT (Wallsend Pattern Trough)

Outlet position:       Centre       Left ..... mm       Right ..... mm

*(From the LEFT or RIGHT hand side to the centre of the outlet)*

**Tapware type:**

Bubbler                       Hob                       Wall

Pillar                           Hob

Tap hole:                     No                     Yes - Number of tap holes: .....

Tap hole size:               22mm       25mm       30mm       32mm       35mm

**EXTRAS (Additional costs):**

External radius corners:       Yes                       No

Pre-plumbing:                       Yes                       No

Free standing frame height:      ..... mm

Splashback height:                      ..... mm

**Tap hole position drawing in mm below:**

*\*By submitting this form you declare that the details provided in this Sign-Off Form are accurate and will be used to manufacture your product. In the event that incorrect details have been provided, Advance Stainless Steel will not be held liable for these errors. All custom made orders cannot be returned and are non-refundable. The lead time is between 10-15 working days plus delivery.*