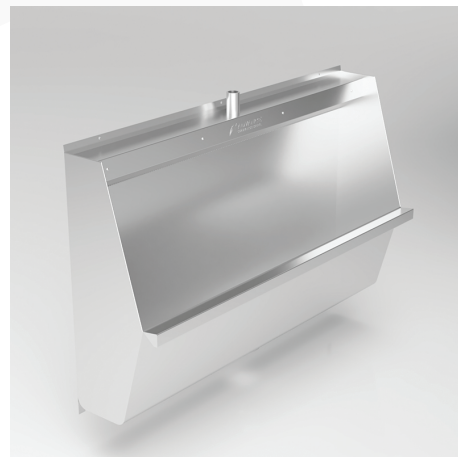
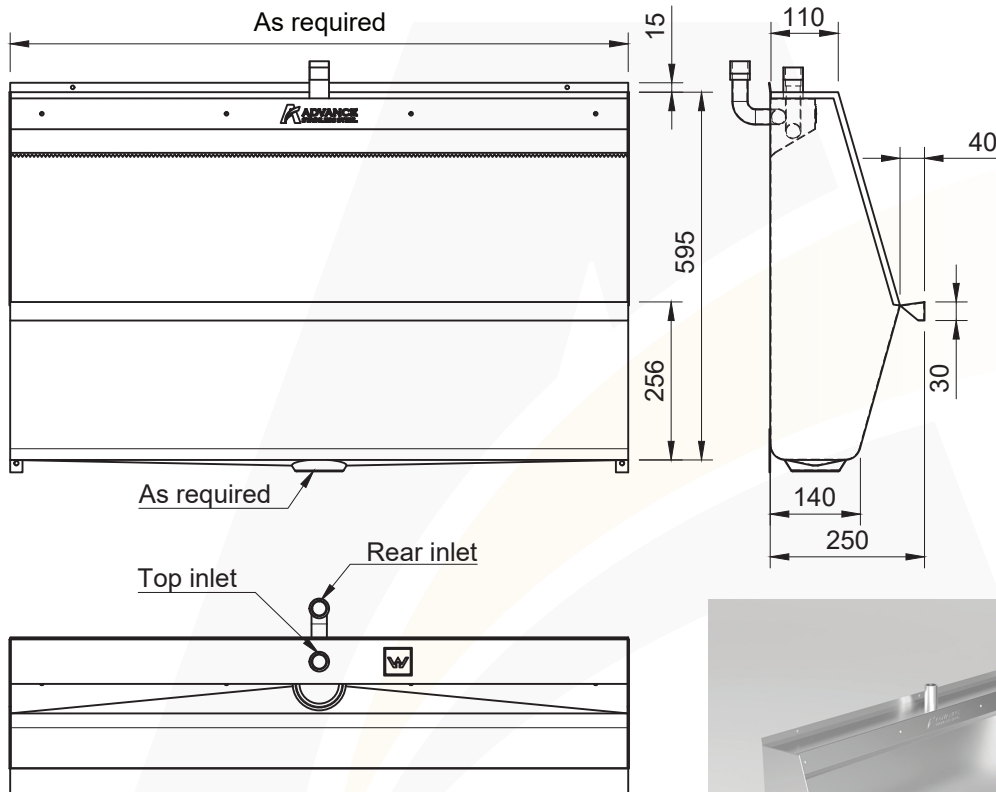




WALL HUNG URINAL

1

1.3



SKU CODE: ASS-WHU

Our quality custom made urinal, manufactured from 1.2mm and in 304 grade stainless steel, incorporates a unique spreader design, scores to 3 Star WELS rating* for water efficiency sparging full clean. Ideal for temporary or permanent facilities.

SPECIFICATIONS:

- 3 Star WELS rating
- 50mm outlet
- Outlet position and length as required
- Compatible with self flushing systems
- Rear or top inlet available

USES:

- Demountable buildings
- Council amenities
- Ablution blocks
- Site sheds

*Based on single stall.



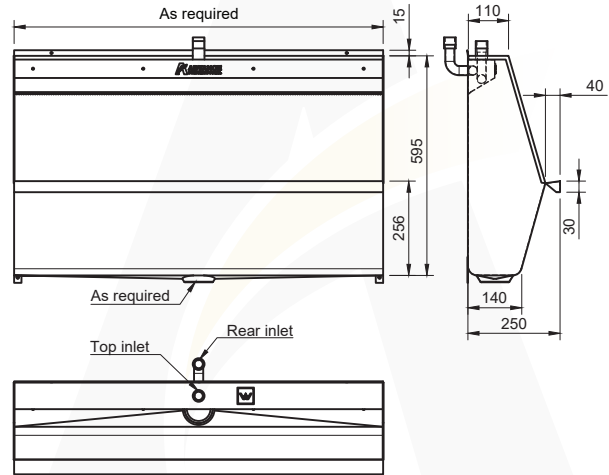
Lic. WMK26720
AS/NZS 3982





SIGN-OFF FORM

Company:
 Name:
 Phone:
 Email:
 Purchase Order #:
 Date:/...../.....
 Signature*:
 Quantity:
 Length:



Stainless steel grade: 304 316 (extra charges)
 Flushing system: Cistern Direct feed
 (Check manufacturers' manual)

ASS-WHU (Wall Hung Urinal)

Inlet quantity: (1 inlet per 1800mm length)

Inlet type: Top Rear

Inlet connection: Male elbow Female elbow Female socket Male straight

Inlet BSP size: 20mm 25 mm 40 mm

Outlet position (from the LEFT or RIGHT wall to the centre of the outlet)

Outlet SIDE wall position: Centre Left mm Right mm
 (Minimum 90mm)

EXTRAS (Additional costs):

End panels: Left Right

Quantity of Accessories: Straight Flushpipe 600mm Offset Flushpipe 600mm
 Pull Chain Cistern 40 x 25 Sparge Pipe Adapter
 25mm Nut & Seal Zip flushmaster
 50mm Plug & Waste Urinal Accessories Kit
 (Pull chain cistern, Offset flushpipe 600mm, 40 x 25 Sparge pipe adapter & 25mm Nut & seal)

**By submitting this form you declare that the details provided in this Sign-Off Form are accurate and will be used to manufacture your product. In the event that incorrect details have been provided, Advance Stainless Steel will not be held liable for these errors. All custom made orders cannot be returned and are non-refundable. The lead time is between 10-15 working days plus delivery.*