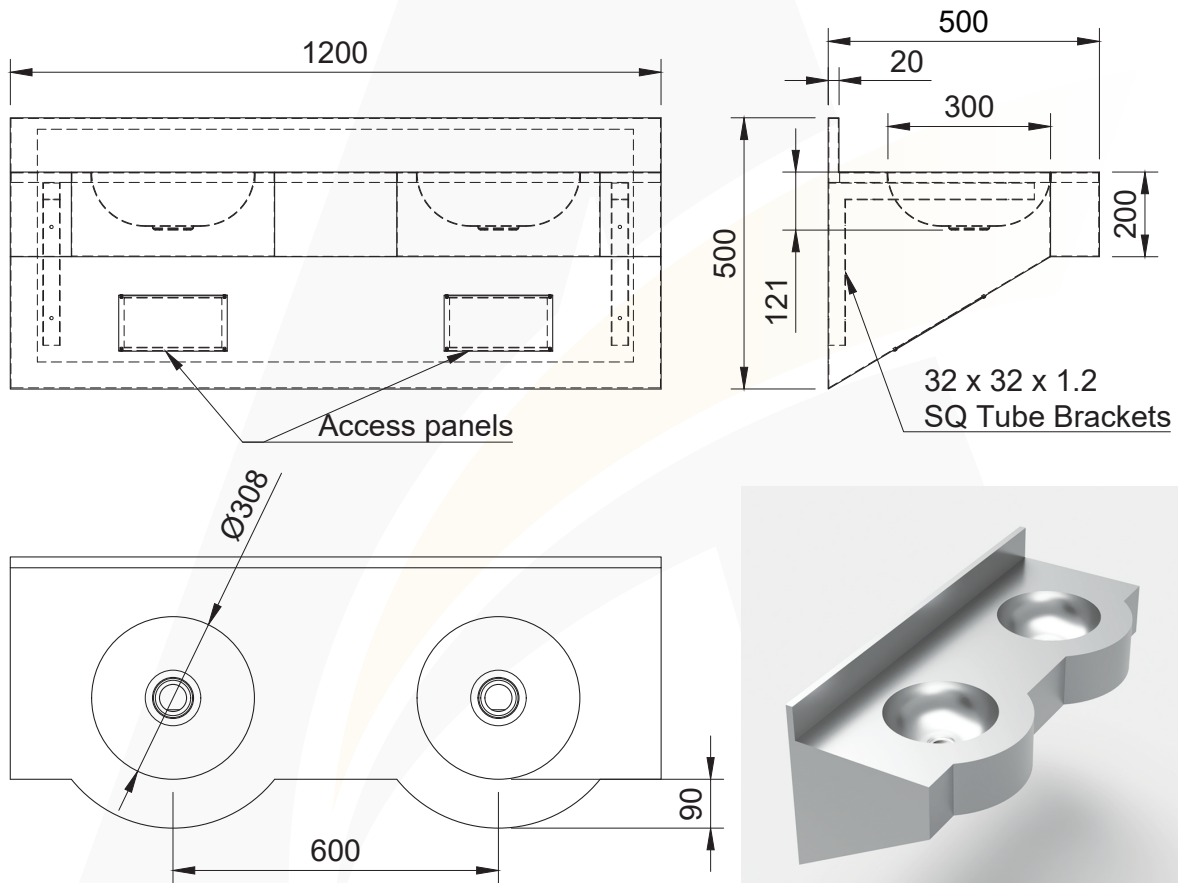




WALL MOUNTED CURVELINE VANITY BASIN

5



5.9

SKU CODE: ASS-WCB

This quality custom made wall mounted curveline vanity basin is manufactured from 1.2mm (1mm thickness bowl) and in 304 grade stainless steel. This sink is highly popular and vandal resistant.

SPECIFICATIONS:

- Made in 304 grade stainless steel
- Multi bowl option available
- 40mm outlets
- Wall brackets

USES:

- Public amenities
- Schools
- Night clubs / stadiums





SIGN-OFF FORM

Company:

Name:

Phone:

Email:

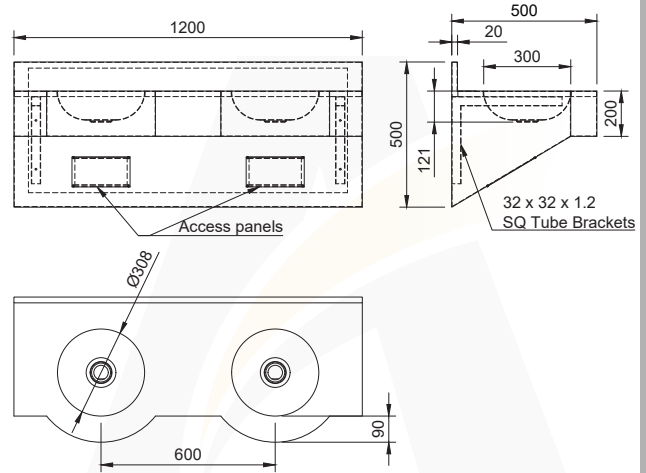
Purchase Order #:

Date:/...../.....

Signature*:

Quantity:

Stainless steel grade: 304



ASS-WCB (Wall Mounted Curveline Vanity Basin)

Overall dimensions: Length:mm Width:mm

Number of required bowl: 2 x bowls 3 x bowls Other:

**By submitting this form you declare that the details provided in this Sign-Off Form are accurate and will be used to manufacture your product. In the event that incorrect details have been provided, Advance Stainless Steel will not be held liable for these errors. All custom made orders cannot be returned and are non-refundable. The lead time is between 10-15 working days plus delivery.*