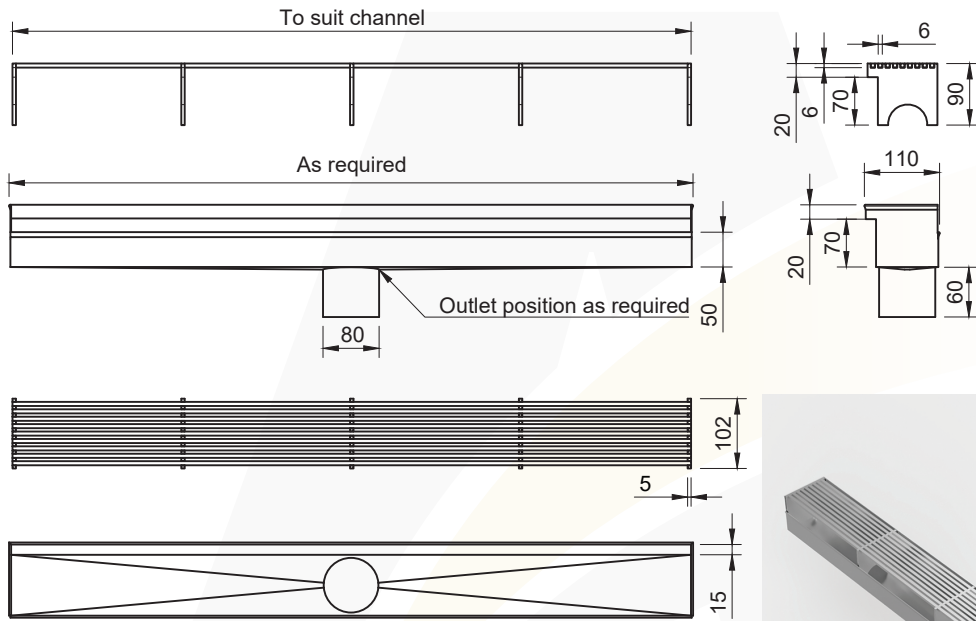




THRESHOLD DRAINAGE TYPE 1

3



3.8



6x6 Square Bar



WWGT1 Wedge Wire
WWGT2 Wedge Wire



SKU CODE: ASS-TD-T1

This quality custom made threshold drainage trough is manufactured from 304 or 316 grade stainless steel. It allows door sills to have the ability to be drained whilst still having internal and external surfaces with no extra step. Threshold drainage trough is typically used for sliding and hinged doors.

SPECIFICATIONS:

- Made in 304 or 316 grade stainless steel
- Outlet position and length as required
- A wide range of grating profiles available

USES:

- Hospitals
- Residential
- Commercial/Industrial
- Threshold drainage





SIGN-OFF FORM

Company:

Name:

Phone:

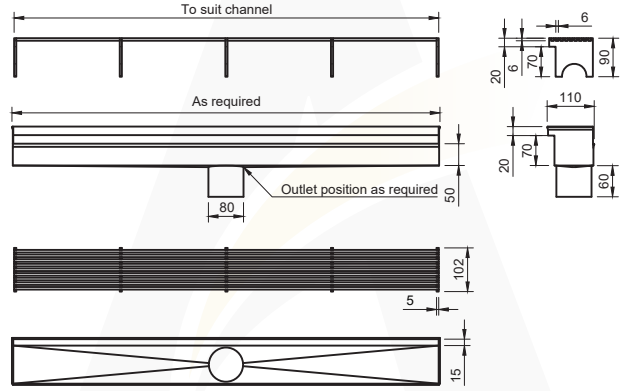
Email:

Purchase Order #:

Date:/...../.....

Signature*:

Quantity:



Stainless steel grade: 304 316 (extra charges)

Heel guard Yes No

ASS-TD-T1 (Threshold Drainage Type 1)

Overall dimensions: Length: mm Width: mm Depth: mm

Load class: Pedestrian Cars Light Commercial Heavy Commercial

Outlet size: 38mm 50mm 64mm 76mm Custom mm

Outlet SIDE position: Centre Left mm Right mm
(From LEFT or RIGHT to the centre of the outlet)

Outlet REAR position: Centre Custom..... mm
(From rear to the centre of the outlet)

Grating profile: *(Tick one option)*

* **Square Bar** 6x6 Square bar

* **Wedge Wire** WWGT1 Wedge Wire WWGT2 Wedge Wire

Additional remarks:

.....

**By submitting this form you declare that the details provided in this Sign-Off Form are accurate and will be used to manufacture your product. In the event that incorrect details have been provided, Advance Stainless Steel will not be held liable for these errors. All custom made orders cannot be returned and are non-refundable. The lead time is between 10-15 working days plus delivery.*