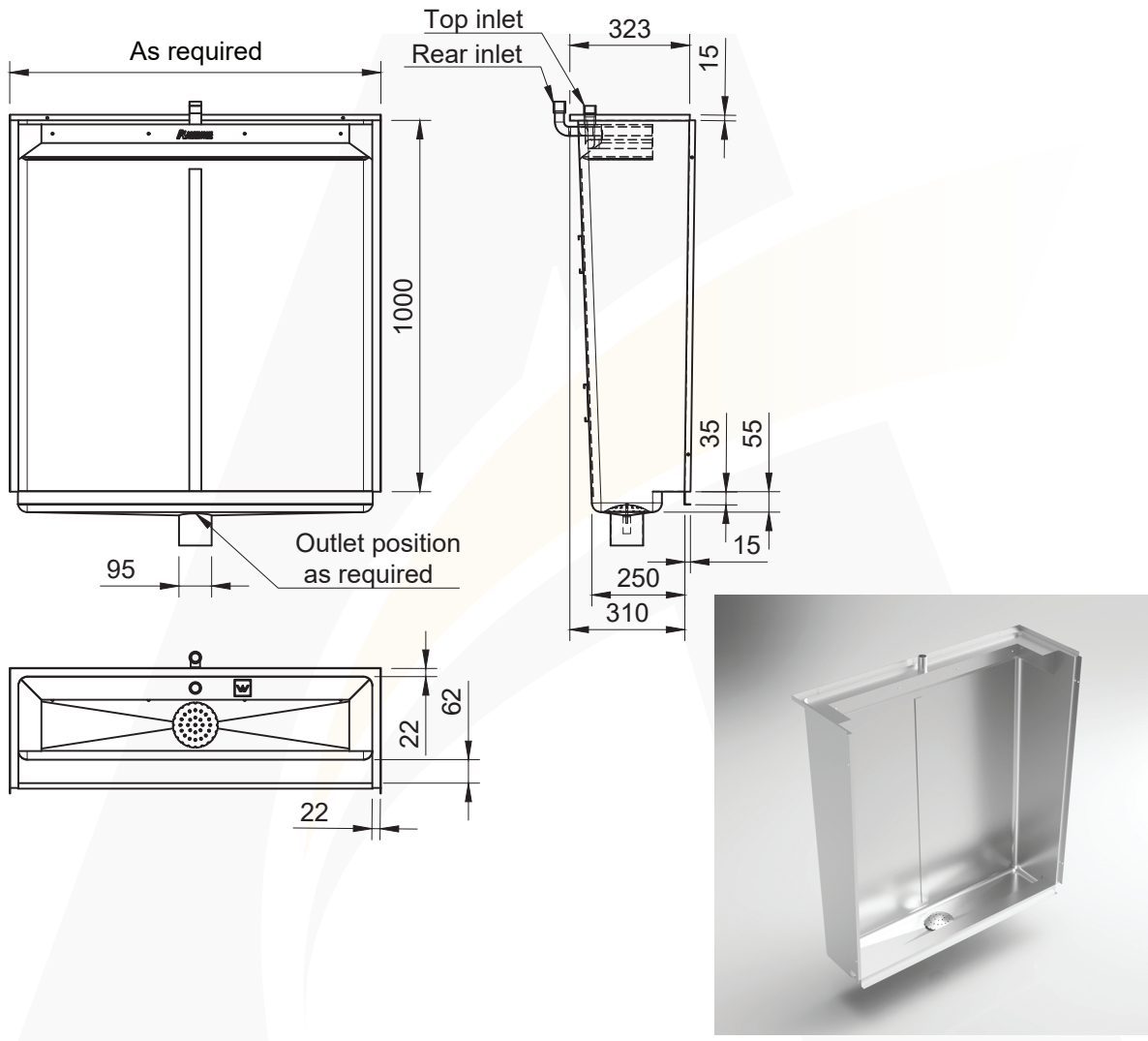




STANDARD URINAL

1

1.2



SKU CODE: ASS-STDU

Our quality custom made urinal which incorporates a unique and special 'U' shaped spreader design, scores 5 Star WELS rating* for water efficiency sparging full clean.

SPECIFICATIONS:

- 5 Star WELS rating
- Made from 1.2mm, 304 grade stainless steel
- Outlet position and length as required
- Compatible with self flushing systems
- Rear or top inlet available

USES:

- Male toilets
- Council amenities
- School amenities
- Pubs & Clubs

*Based on single stall.



Lic. WMK26720
AS/NZS 3982





SIGN-OFF FORM

Company:

Name:

Phone:

Email:

Purchase Order #:

Date:/...../.....

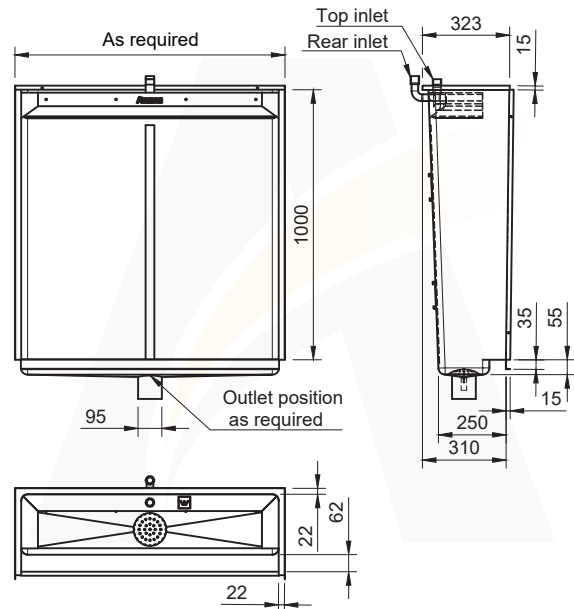
Signature*:

Quantity:

Length:

Stainless steel grade: 304 316 (extra charges)

Flushing system: Cistern Direct feed
(Check manufacturers' manual)



ASS-STDU (Standard Urinal)

Inlet quantity: (1 inlet per 1800mm length)

Inlet type: Top Rear

Inlet connection: Male elbow Female elbow Female socket Male straight

Inlet BSP size: 20mm 25 mm 40 mm

Outlet position: (from the LEFT or RIGHT and REAR wall to the centre of the outlet)

Outlet SIDE wall position: Centre Left mm Right mm
(Minimum 120mm)

Outlet REAR wall position: 150mm (Standard) Custom mm
(Min. 125mm and max. 175mm)

EXTRAS (Additional costs):

End panels: Left Right

Quantity of Accessories: Straight Flushpipe 600mm Offset Flushpipe 600mm

..... Pull Chain Cistern 40 x 25 Sparge Pipe Adapter

..... 25mm Nut & Seal Zip flushmaster

..... Urinal Accessories Kit (Pull chain cistern, Offset flushpipe 600mm, 40 x 25 Sparge pipe adapter & 25mm Nut & seal)

*By submitting this form you declare that the details provided in this Sign-Off Form are accurate and will be used to manufacture your product. In the event that incorrect details have been provided, Advance Stainless Steel will not be held liable for these errors. All custom made orders cannot be returned and are non-refundable. The lead time is between 10-15 working days plus delivery.