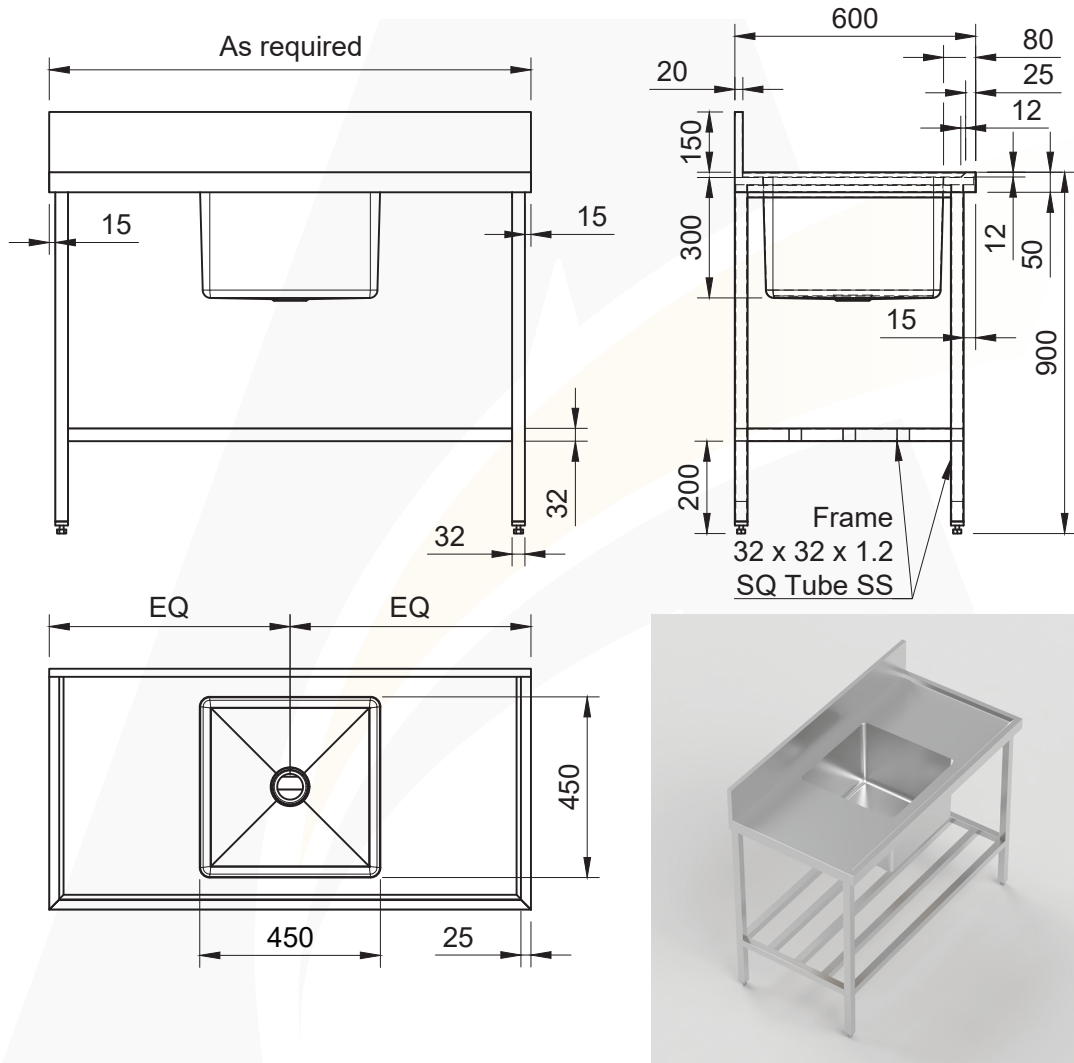




SINGLE SINK BENCH WITH TUBE UNDERSHELF

4



4.6

SKU CODE: ASS-SSTS

This quality custom made single sink bench with tube undershelf is manufactured from 1.2mm thickness and in 304 grade stainless steel. It is convenient for hospitality, residential or commercial facilities.

SPECIFICATIONS:

- Made in 1.2mm, 304 grade stainless steel
- Outlet and bowl position and sizes as required

USES:

- Aged / Healthcare
- Hospitals
- Schools / Councils
- Restaurants





SIGN-OFF FORM

Company:

Name:

Phone:

Email:

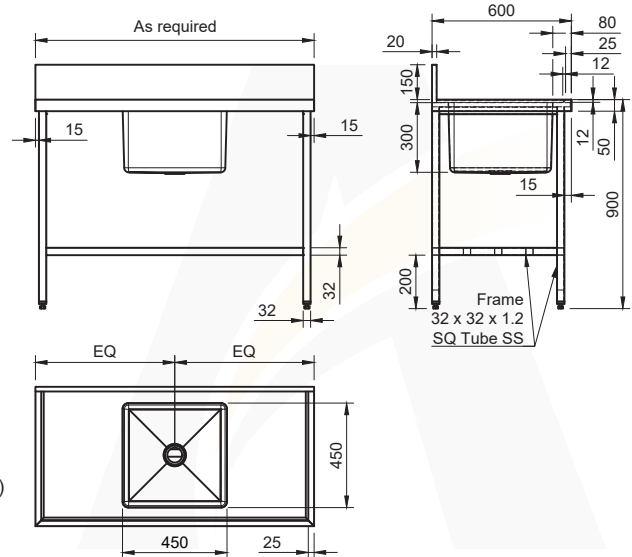
Purchase Order #:

Date:/...../.....

Signature*:

Quantity:

Stainless steel grade: 304 316 (extra charges)



ASS-SSTS (Single Sink Bench with Tube Undershelf)

Bench size: **Length:** mm **Width:** mm **Height:** mm

BOWL DETAILS:

Bowl size: **Length:** mm **Width:** mm **Depth:** mm

Outlet size: 50mm 90 mm

Outlet position Centre **OR**
 Custom: mm from Left / Right to the centre of the outlet **AND**
..... mm from Rear to the centre of the outlet

Bowl position: mm from Left / Right bench to the centre of the bowl

Frame option: With tube undershelf frame Without tube undershelf frame

*By submitting this form you declare that the details provided in this Sign-Off Form are accurate and will be used to manufacture your product. In the event that incorrect details have been provided, Advance Stainless Steel will not be held liable for these errors. All custom made orders cannot be returned and are non-refundable. The lead time is between 10-15 working days plus delivery.