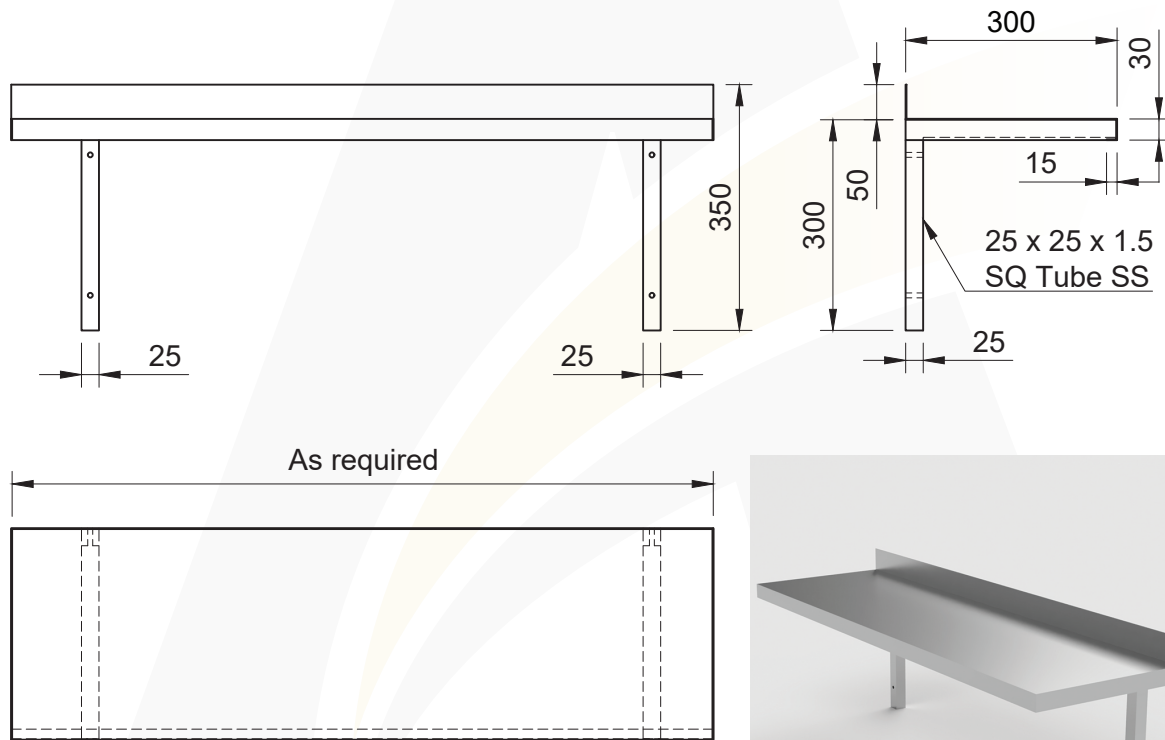




SOLID SHELF

4



4.10



SKU CODE: ASS-SS

This quality custom made solid shelf is manufactured from 1.2mm thickness and in 304 grade stainless steel. The shelf is commonly used for hospitality, residential or commercial shelving needs.

SPECIFICATIONS:

- Made in 1.2mm, 304 grade stainless steel
- Wall brackets

USES:

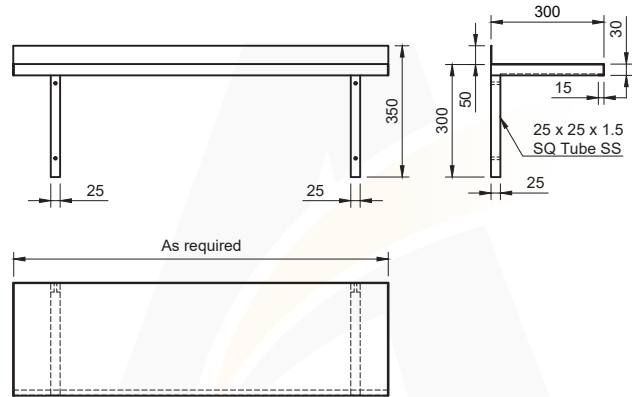
- Aged / Healthcare
- Hospitals
- Schools / Councils
- Restaurants





SIGN-OFF FORM

Company:
Name:
Phone:
Email:
Purchase Order #:
Date:/...../.....
Signature*:
Quantity:



Stainless steel grade: 304 316 (extra charges)

ASS-SS (Solid Shelf)

Shelf size: **Length:** mm **Width:** mm **Height:** mm

Custom design below if applicable:

**By submitting this form you declare that the details provided in this Sign-Off Form are accurate and will be used to manufacture your product. In the event that incorrect details have been provided, Advance Stainless Steel will not be held liable for these errors. All custom made orders cannot be returned and are non-refundable. The lead time is between 10-15 working days plus delivery.*