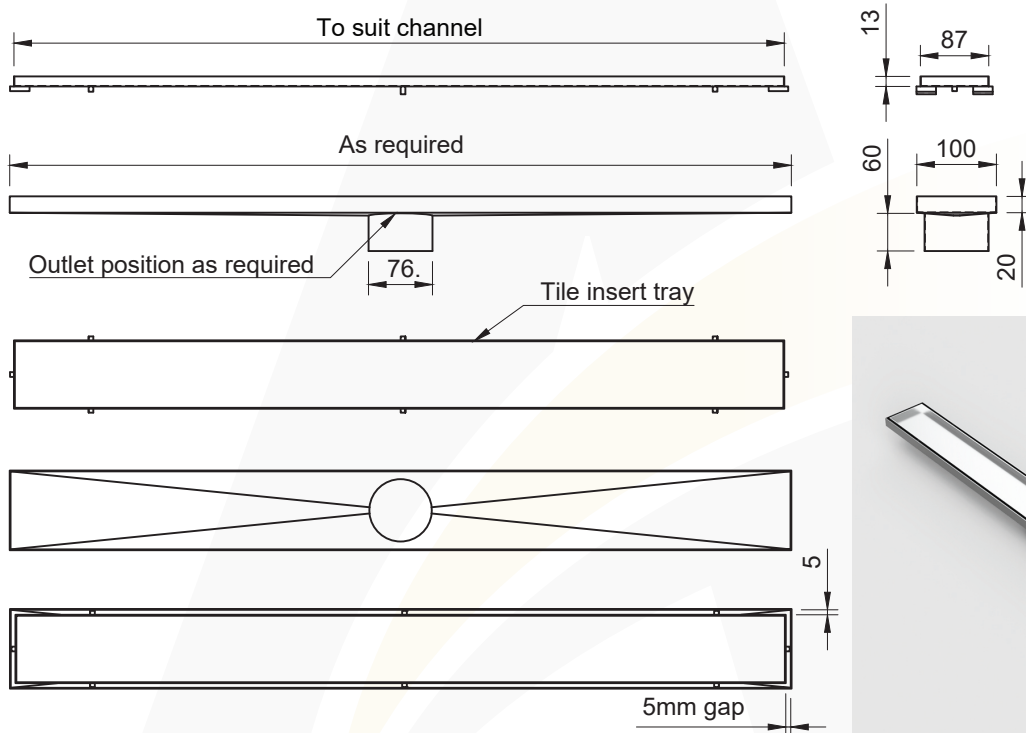




SMART GRATE

3



3.6



Tile Insert Tray TIT



Slot HS



Slot VS

SKU CODE: ASS-SG

This quality custom made smart channel is manufactured from 1.2mm thickness and 304 or 316 grade stainless steel.

SPECIFICATIONS:

- Made in 1.2mm, 304 or 316 grade stainless steel
- Outlet position and length as required
- A wide range of grating profiles available

USES:

- Residential





SIGN-OFF FORM

Company:

Name:

Phone:

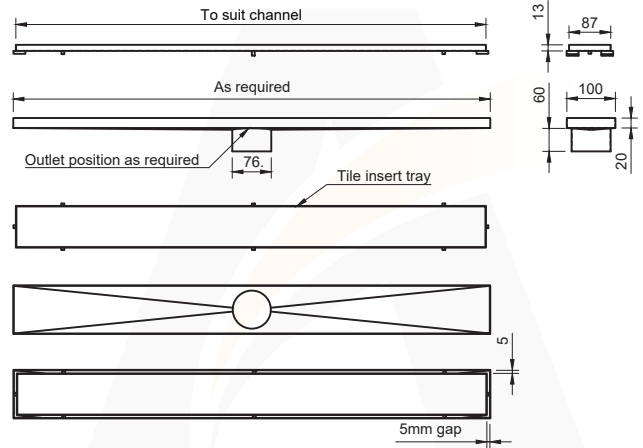
Email:

Purchase Order #:

Date:/...../.....

Signature*:

Quantity:



Stainless steel grade: 304 316 (extra charges)

ASS-SG (Smart Gate)

Overall dimensions: **Length:** mm **Width:** mm **Depth:** mm

Outlet size: 38mm 50mm 64mm 76mm Custom mm

Outlet SIDE position: Centre Left mm Right mm
(From LEFT or RIGHT to the centre of the outlet)

Outlet REAR position: Centre Custom..... mm
(From rear to the centre of the outlet)

Grating profile: *** Slot** *** Tray**

(Tick one option) HS TIT (Enter tile thickness:mm)

VS

Additional remarks:

.....

.....

**By submitting this form you declare that the details provided in this Sign-Off Form are accurate and will be used to manufacture your product. In the event that incorrect details have been provided, Advance Stainless Steel will not be held liable for these errors. All custom made orders cannot be returned and are non-refundable. The lead time is between 10-15 working days plus delivery.*