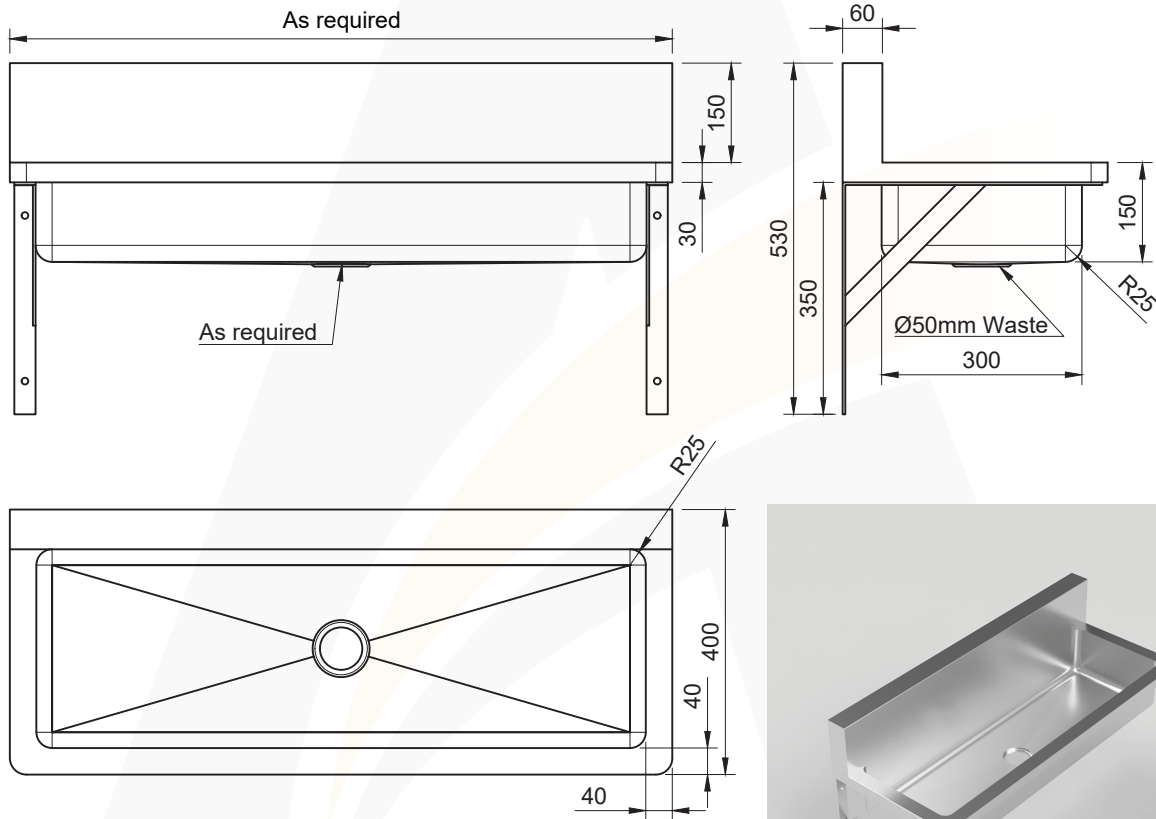




# PWD TROUGH

2



2.12



## SKU CODE: ASS-PWD

This quality custom made PWD trough is supplied with wall mounting brackets for easy installation. Contact sales for BUDGET option with square internal and/or radius external corners.

### SPECIFICATIONS:

- Made from 1.2mm, 304 grade stainless steel
- Outlet position and length as required
- Standard 150mm height and 60mm boxed splashback
- Radius internal and external corners
- 50mm outlet
- Plug and waste provided

### USES:

- Educational facilities
- Childhood centres
- Public amenities





# SIGN-OFF FORM

Company: .....

Name: .....

Phone: .....

Email: .....

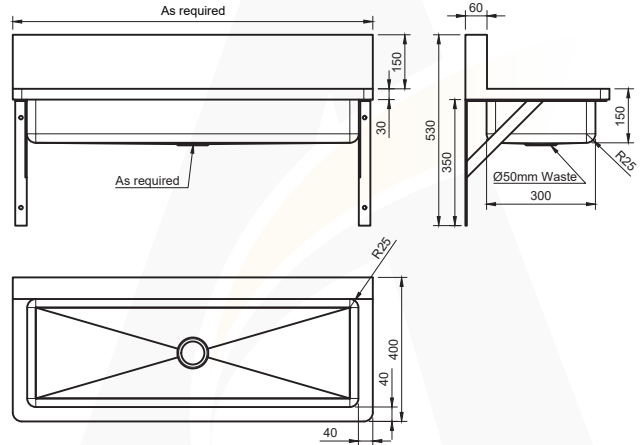
Purchase Order #: .....

Date: ...../...../.....

Signature\*: .....

Quantity: .....

Length: .....



Stainless steel grade:  304       316 (extra charges)

## ASS-PWD (PWD Trough)

Outlet position:       Centre       Left ..... mm       Right ..... mm

*(From the LEFT or RIGHT hand side to the centre of the outlet)*

Tap hole:       No       Yes - Number of tap holes: .....

Tap hole size:       22mm       25mm       30mm       32mm       35mm

**EXTRAS (Additional costs):**

Internal radius corners:       Yes       No

Pre-plumbing:       Yes       No

Splashback height (mm): .....

Free standing frame height: .....

**Tap hole position drawing in (mm) below:**

*\*By submitting this form you declare that the details provided in this Sign-Off Form are accurate and will be used to manufacture your product. In the event that incorrect details have been provided, Advance Stainless Steel will not be held liable for these errors. All custom made orders cannot be returned and are non-refundable. The lead time is between 10-15 working days plus delivery.*