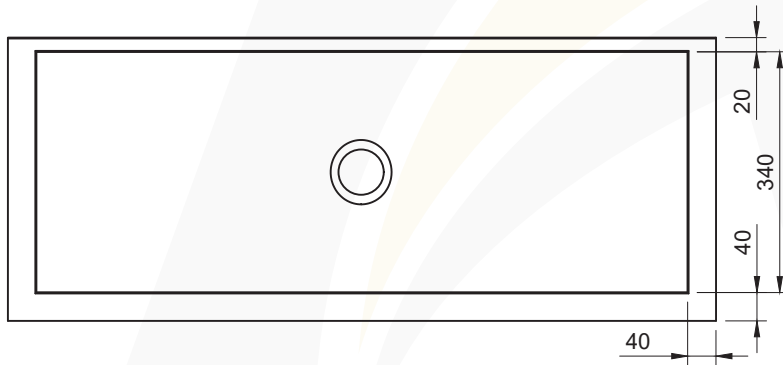
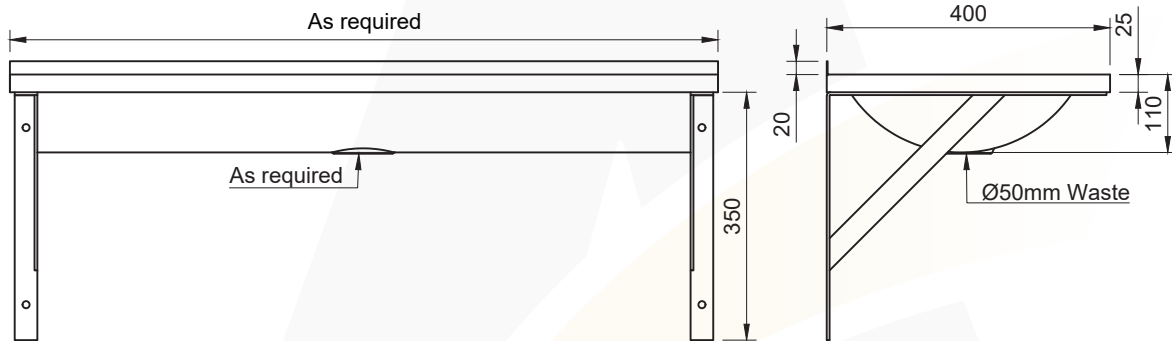




PATTERN NO.3 TROUGH

2



2.3

SKU CODE: ASS-PT3

This quality custom made trough has rounded design. It is supplied with wall mounting brackets for easy installation.

SPECIFICATIONS:

- Fabricated in 1.2mm, 304 grade stainless steel
- Outlet position and length as required
- 50mm outlet
- Plug and waste provided

USES:

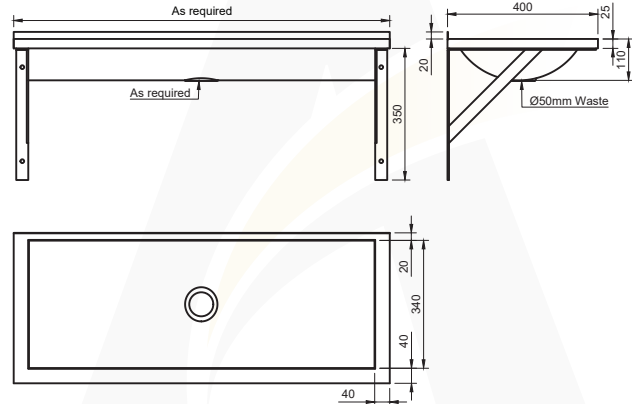
- Washroom areas
- Workshops





SIGN-OFF FORM

Company:
Name:
Phone:
Email:
Purchase Order #:
Date:/...../.....
Signature*:
Quantity:
Length:



Stainless steel grade: 304 316 (extra charges)

ASS-PT3 (Pattern No.3 Trough)

Outlet position: Centre Left mm Right mm

(From the LEFT or RIGHT hand side to the centre of the outlet)

EXTRAS (Additional costs):

External radius corners: Yes No

Splashback height (mm):

Free standing frame height:

Custom design on request:

**By submitting this form you declare that the details provided in this Sign-Off Form are accurate and will be used to manufacture your product. In the event that incorrect details have been provided, Advance Stainless Steel will not be held liable for these errors. All custom made orders cannot be returned and are non-refundable. The lead time is between 10-15 working days plus delivery.*