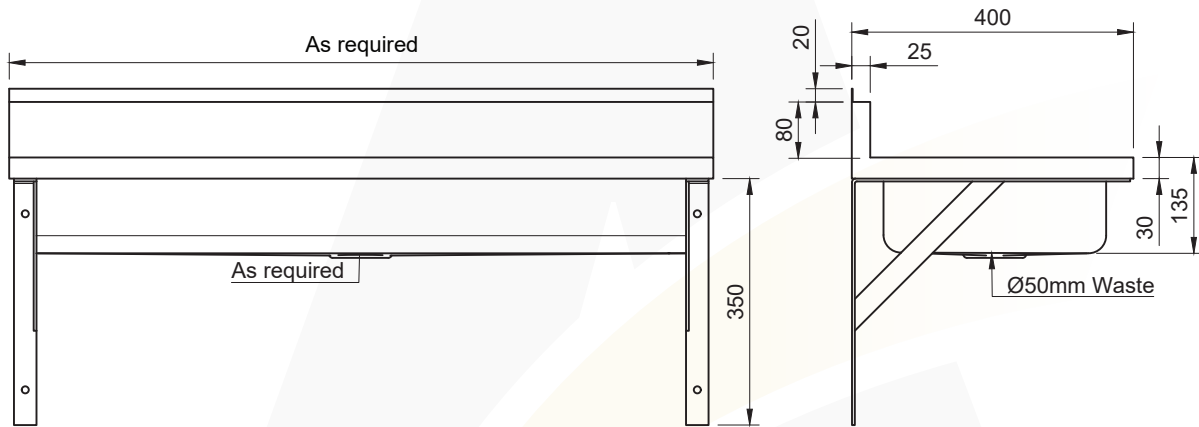


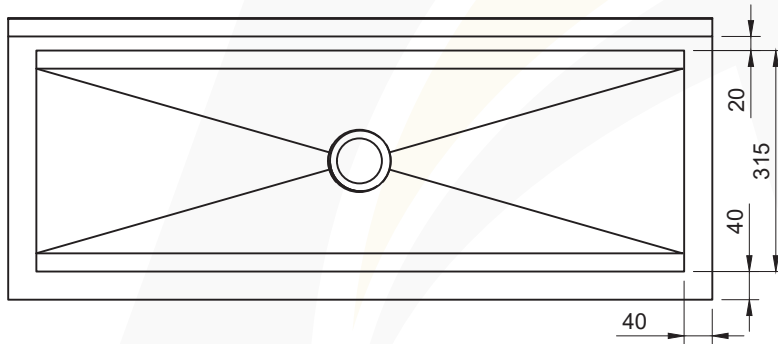


## PATTERN NO.2 TROUGH

2



2.2



### SKU CODE: ASS-PT2

This quality custom made trough has a broader width and splashback. It is supplied with wall mounting brackets for easy installation.

#### SPECIFICATIONS:

- Made from 1.2mm, 304 grade stainless steel
- Outlet position and length as required
- 50mm outlet
- Plug and waste provided
- Standard 80mm height splashback

#### USES:

- Washroom areas
- Workshops
- Portable buildings





# SIGN-OFF FORM

Company: .....

Name: .....

Phone: .....

Email: .....

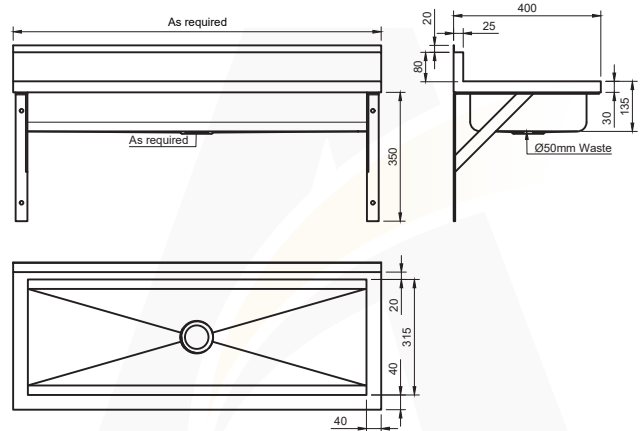
Purchase Order #: .....

Date: ...../...../.....

Signature\*: .....

Quantity: .....

Length: .....



Stainless steel grade:  304       316 (extra charges)

## ASS-PT2 (Pattern No.2 Trough)

Outlet position:       Centre       Left ..... mm       Right ..... mm

*(From the LEFT or RIGHT hand side to the centre of the outlet)*

Tap hole:       No       Yes - Number of tap holes: .....

Tap hole size:       22mm       25mm       30mm       32mm       35mm

**EXTRAS (Additional costs):**

External radius corners:       Yes       No

Splashback height (mm): .....

Free standing frame height: .....

**Tap hole position drawing in (mm) below:**

*\*By submitting this form you declare that the details provided in this Sign-Off Form are accurate and will be used to manufacture your product. In the event that incorrect details have been provided, Advance Stainless Steel will not be held liable for these errors. All custom made orders cannot be returned and are non-refundable. The lead time is between 10-15 working days plus delivery.*