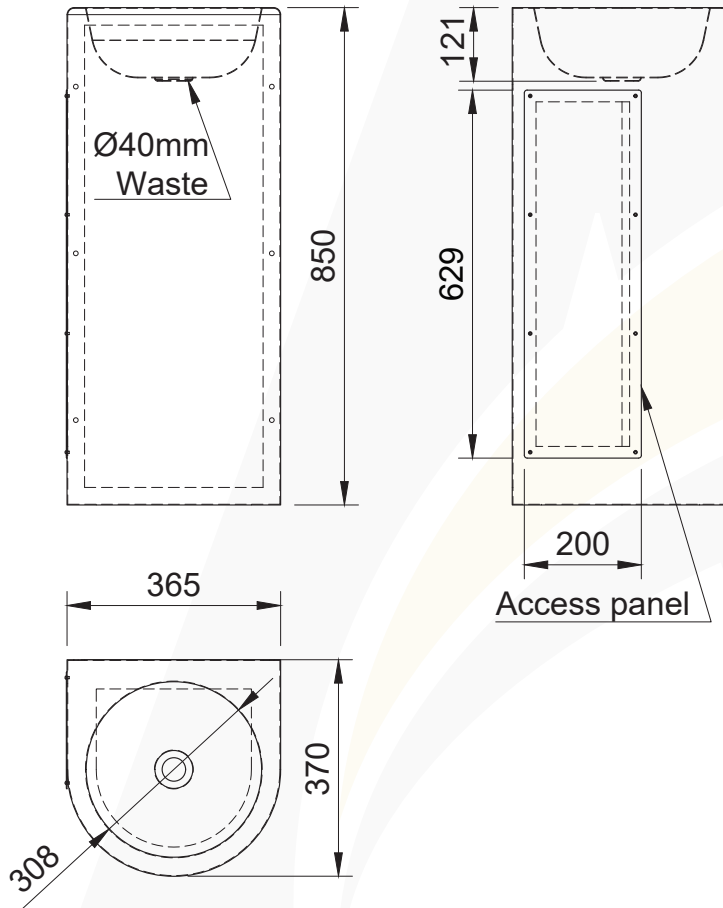




PEDESTAL BASIN

5



5.10

SKU CODE: ASS-PB

This quality custom made pedestal basin is manufactured from 1.2mm (1mm thickness bowl) and in 304 grade stainless steel. The sink is compact for small areas. Fixtures at the base and rear of the basin.

SPECIFICATIONS:

- Made in 1.2mm, 304 grade stainless steel
- 6.3 litre capacity, 40mm outlet
- Intergrate wall brackets

USES:

- Hospitals / Schools
- Train stations / airports
- Hold Cells / Public toilets





SIGN-OFF FORM

Company:

Name:

Phone:

Email:

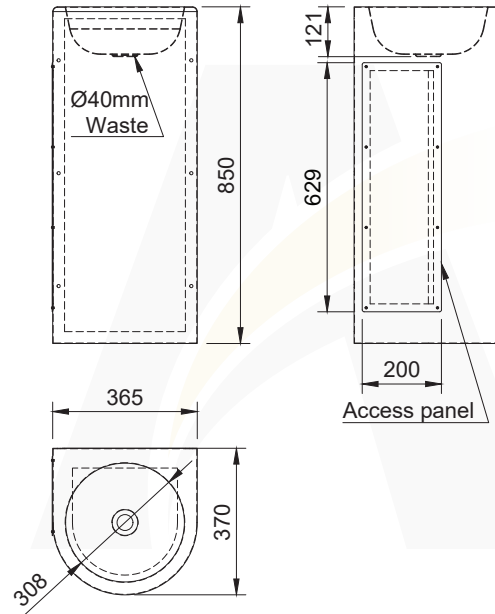
Purchase Order #:

Date:/...../.....

Signature*:

Quantity:

Stainless steel grade: 304



ASS-PB (Pedestal Basin)

BOWL DETAILS:

Tap hole: Left Right

*By submitting this form you declare that the details provided in this Sign-Off Form are accurate and will be used to manufacture your product. In the event that incorrect details have been provided, Advance Stainless Steel will not be held liable for these errors. All custom made orders cannot be returned and are non-refundable. The lead time is between 10-15 working days plus delivery.