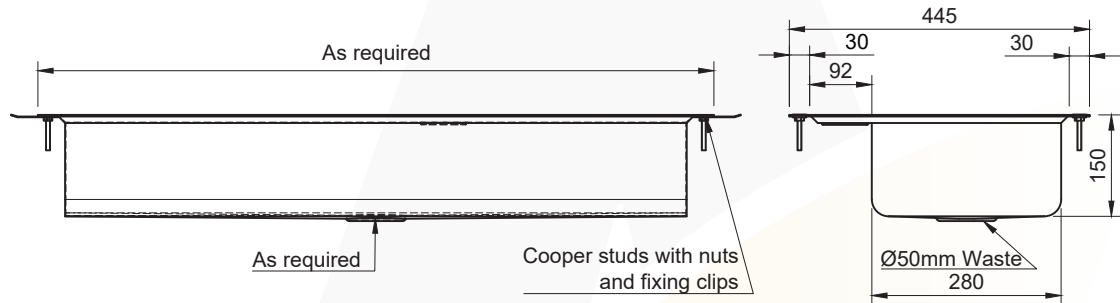


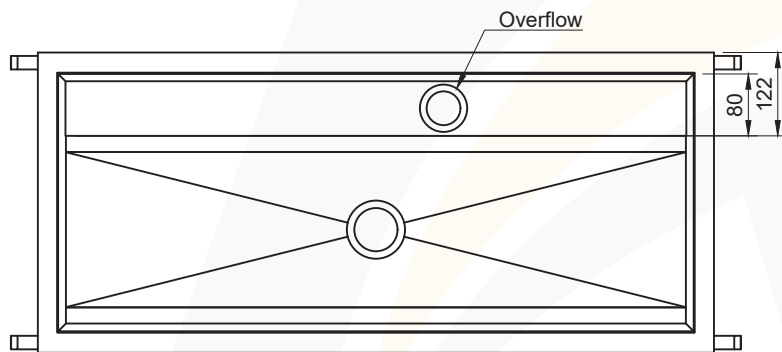


PRACTICAL ACTIVITIES TROUGH

2



2.10



SKU CODE: ASS-PAT

This quality custom made practical activities trough is supplied with fixing clips and studs for easy installation. It features a rear hob for mounting handwash tapware and/or bubblers and suitable for most benches.

SPECIFICATIONS:

- Made from 1.2mm, 304 grade stainless steel
- Outlet position and length as required
- 40mm overflow
- 50mm outlet
- Plug and waste provided

USES:

- Educational facilities
- Childhood centres





SIGN-OFF FORM

Company:

Name:

Phone:

Email:

Purchase Order #:

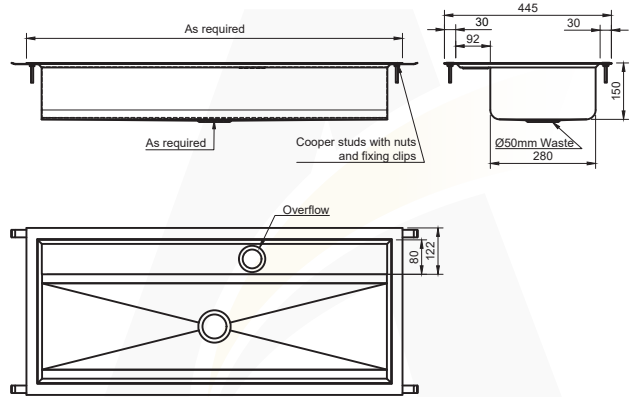
Date:/...../.....

Signature*:

Quantity:

Length:

Stainless steel grade: 304 316 (extra charges)



ASS-PAT (Practical Activities Trough)

Outlet position: Centre Left mm Right mm

(From the LEFT or RIGHT hand side to the centre of the outlet)

Tap hole: No Yes - Number of tap holes:

Tap hole size: 22mm 25mm 30mm 32mm 35mm

Overflow hole: Yes No

EXTRAS (Additional costs):

Pre-plumbing: Yes No

Tap hole position drawing in (mm) below:

**By submitting this form you declare that the details provided in this Sign-Off Form are accurate and will be used to manufacture your product. In the event that incorrect details have been provided, Advance Stainless Steel will not be held liable for these errors. All custom made orders cannot be returned and are non-refundable. The lead time is between 10-15 working days plus delivery.*