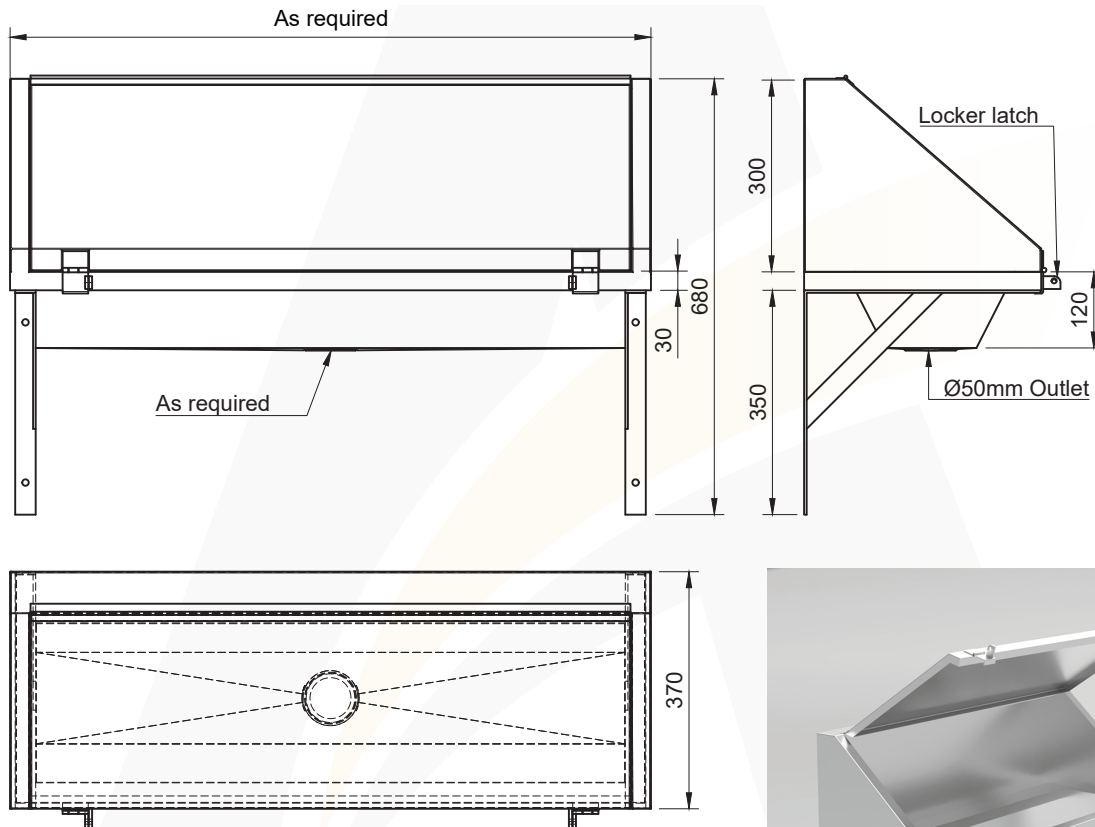




LOCKABLE WALLSEND PATTERN TROUGH

2



2.9

SKU CODE: ASS-LWPT

This quality custom made trough can be used to mount pillar taps and/or bubblers and incorporated with a lockable lid to limit damage to tapware when not in use. It is supplied with wall mounting brackets for easy installation.

SPECIFICATIONS:

- Made from 1.2mm and 304 grade stainless steel
- Outlet position and length as required
- Wall mounting brackets
- 50mm outlet
- Plug and waste provided

USES:

- Educational facilities
- Sporting amenities





SIGN-OFF FORM

Company:

Name:

Phone:

Email:

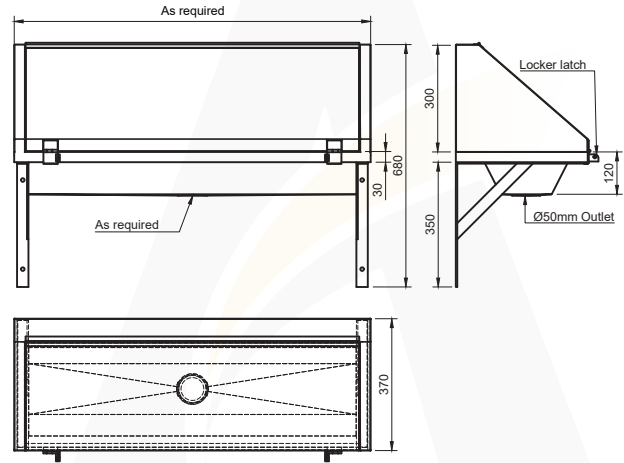
Purchase Order #:

Date:/...../.....

Signature*:

Quantity:

Length:



Stainless steel grade: 304 316 (extra charges)

ASS-LWPT (Lockable Wallsend Pattern Trough)

Outlet position: Centre Left mm Right mm

(From the LEFT or RIGHT hand side to the centre of the outlet)

Tapware type:

Bubbler Hob Wall

Pillar Hob

Tap hole: No Yes - Number of tap holes:

Tap hole size: 22mm 25mm 30mm 32mm 35mm

EXTRAS (Additional costs):

External radius corners: Yes No

Pre-plumbing: Yes No

Free standing frame height:

Tap hole position drawing in mm below:

*By submitting this form you declare that the details provided in this Sign-Off Form are accurate and will be used to manufacture your product. In the event that incorrect details have been provided, Advance Stainless Steel will not be held liable for these errors. All custom made orders cannot be returned and are non-refundable. The lead time is between 10-15 working days plus delivery.