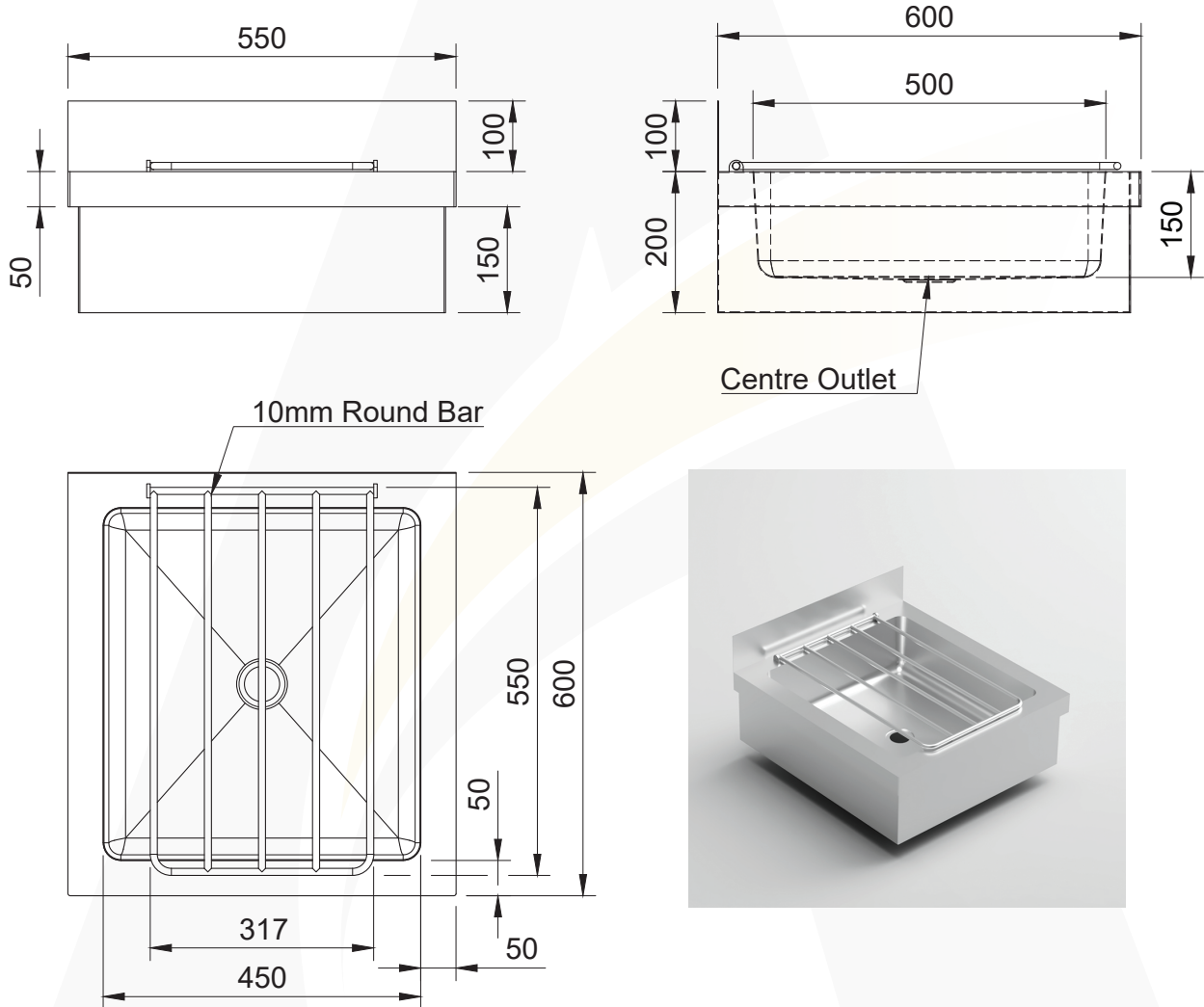




FLOOR MOUNTED CLEANER'S SINK

5



5.6

SKU CODE: ASS-FMC

This quality custom made floor mounted cleaner's sink is manufactured from 1.2mm thickness and in 304 grade stainless steel. It is strong, sturdy and has a hinged grate for bucket storage.

SPECIFICATIONS:

- Made in 1.2mm, 304 grade stainless steel
- 25mm Radius bowl corners
- Outlet position and bowl size as required
- Lengths as required

USES:

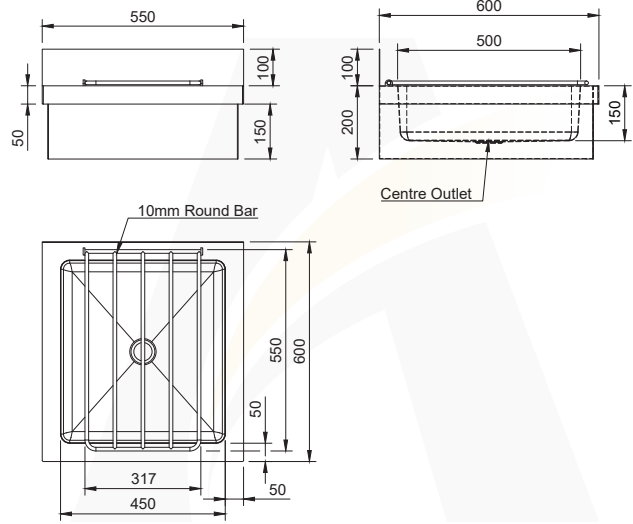
- Cleaner's rooms
- Hospitals / Schools
- Commercial facilities





SIGN-OFF FORM

Company:
Name:
Phone:
Email:
Purchase Order #:
Date:/...../.....
Signature*:
Quantity:
Stainless steel grade: 304 316 (extra charges)



ASS-FMC (Floor Mounted Cleaner's Sink)

Overall size: **Length:** mm **Width:** mm **Height:**mm

BOWL DETAILS:

Internal dimensions: **Length:** mm **Width:** mm **Depth:** mm

Outlet size: 50mm 90 mm

Outlet position Centre **OR**
 Custom: mm from Left / Right to the centre of the outlet **AND**
 mm from Rear to the centre of the outlet

**By submitting this form you declare that the details provided in this Sign-Off Form are accurate and will be used to manufacture your product. In the event that incorrect details have been provided, Advance Stainless Steel will not be held liable for these errors. All custom made orders cannot be returned and are non-refundable. The lead time is between 10-15 working days plus delivery.*