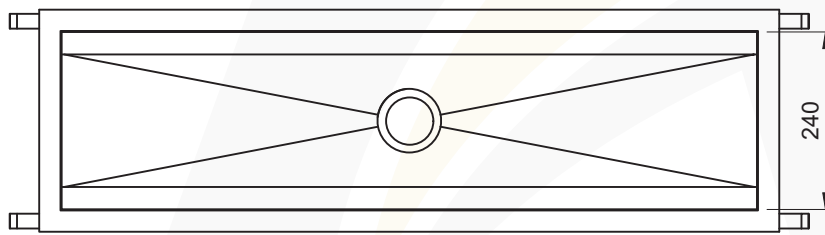
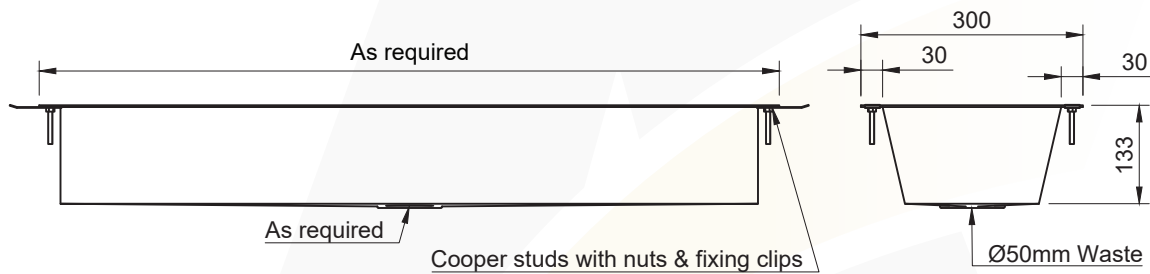




# FLUSHLINE TROUGH

2

2.7



## SKU CODE: ASS-FLT

This quality custom made flushline trough is manufactured to suit most benches and is supplied with fixing clips and studs for easy installation.

### SPECIFICATIONS:

- Made from 1.2mm, 304 grade stainless steel
- Outlet position and length as required
- 50mm outlet
- Plug and waste provided

### USES:

- Educational facilities
- Childhood centre





# SIGN-OFF FORM

Company: .....

Name: .....

Phone: .....

Email: .....

Purchase Order #: .....

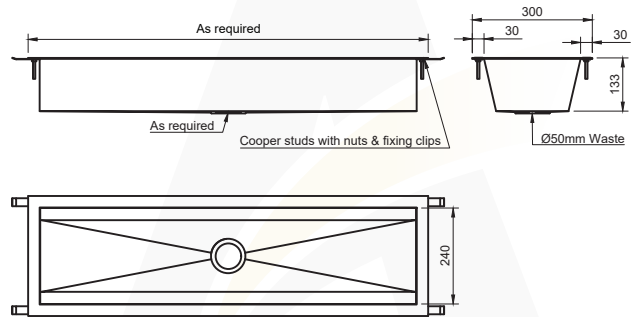
Date: ...../...../.....

Signature\*: .....

Quantity: .....

Length: .....

Stainless steel grade:  304       316 (extra charges)



## ASS-FLT (Flushline Trough)

Outlet position:       Centre       Left ..... mm       Right ..... mm

*(From the LEFT or RIGHT to the centre of the outlet)*

**Custom design on request:**

*\*By submitting this form you declare that the details provided in this Sign-Off Form are accurate and will be used to manufacture your product. In the event that incorrect details have been provided, Advance Stainless Steel will not be held liable for these errors. All custom made orders cannot be returned and are non-refundable. The lead time is between 10-15 working days plus delivery.*