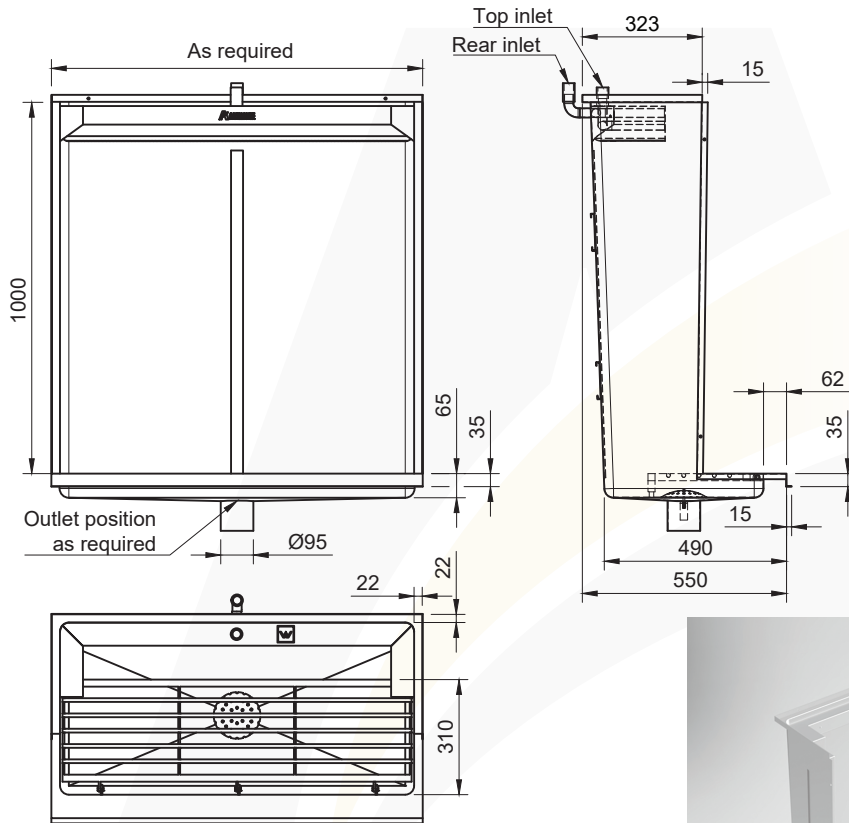




# DELUXE URINAL

1

1.1



## SKU CODE: ASS-DU

Our quality custom made urinal which incorporates a unique and special 'U' shaped spreader design, scores 5 Star WELS rating\* for water efficiency sparging full clean. It features a walk on hinged grate allowing easy cleaning access.

### SPECIFICATIONS:

- 5 Star WELS rating
- Made in 1.2mm, 304 grade stainless steel
- Outlet position and length as required
- Compatible with self flushing systems
- Rear or top inlet available

### USES:

- Male toilets
- Council amenities
- School amenities
- Pubs & Clubs

\*Based on single stall rating.



Lic. WMK26720  
AS/NZS 3982





# SIGN-OFF FORM

Company: .....

Name: .....

Phone: .....

Email: .....

Purchase Order #: .....

Date: ...../...../.....

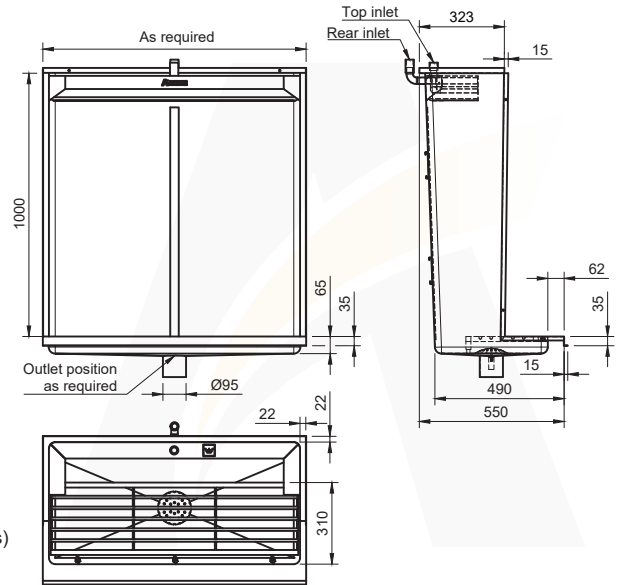
Signature\*: .....

Quantity: .....

Length: .....

Stainless steel grade:  304  316 (extra charges)

Flushing system:  Cistern  Direct feed  
(Check manufacturers' manual)



## ASS-DU (Deluxe Urinal)

Inlet quantity: ..... (1 inlet per 1800mm length)

Inlet type:  Top  Rear

Inlet connection:  Male elbow  Female elbow  Female socket  Male straight

Inlet BSP size:  20mm  25 mm  40 mm

Outlet position: (from the LEFT or RIGHT and REAR wall to the centre of the outlet)

Outlet SIDE wall position:  Centre  Left ..... mm  Right ..... mm  
(Minimum 120mm)

Outlet REAR wall position:  150mm (Standard)  Custom ..... mm  
(Min. 125mm to max. 380mm)

### EXTRAS (Additional costs):

End panels:  Left  Right

Quantity of Accessories:  ..... Straight Flushpipe 600mm  ..... Offset Flushpipe 600mm

..... Pull Chain Cistern  ..... 40 x 25 Sparge Pipe Adapter

..... 25mm Nut & Seal  ..... Zip flushmaster

..... Urinal Accessories Kit (Pull chain cistern, Offset flushpipe 600mm, 40 x 25 Sparge pipe adapter & 25mm Nut & seal)

*\*By submitting this form you declare that the details provided in this Sign-Off Form are accurate and will be used to manufacture your product. In the event that incorrect details have been provided, Advance Stainless Steel will not be held liable for these errors. All custom made orders cannot be returned and are non-refundable. The lead time is between 10-15 working days plus delivery.*