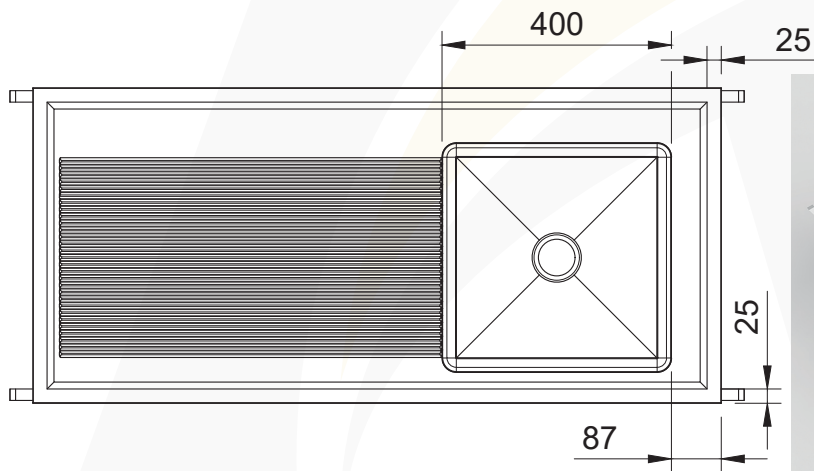
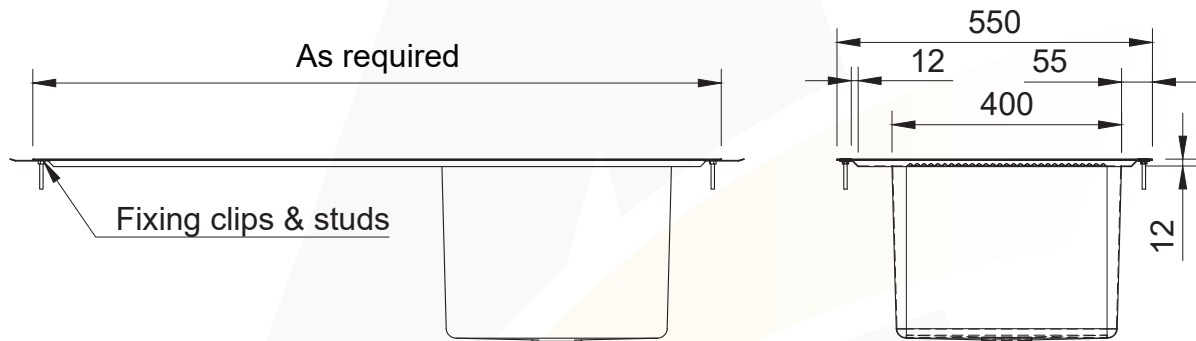




CORRUGATED SINGLE SINK

5



5.5

SKU CODE: ASS-CSS

This quality custom made corrugated single sink is manufactured from 1.2mm thickness and in 304 grade stainless steel. The sink can be easily mounted into a wide range of benchtops with provided fixing clips.

SPECIFICATIONS:

- Made in 1.2mm, 304 grade stainless steel
- 25mm Radius bowl corners
- Outlet and bowl position and sizes as required
- Fixing clips

USES:

- Aged / Health care
- Hospitals / Schools / Labs
- Domestic / Commercial



