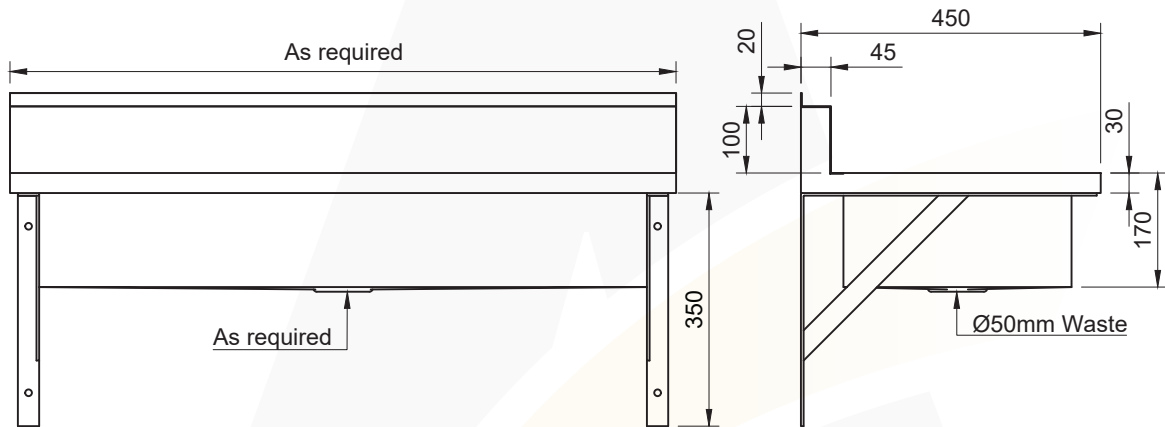


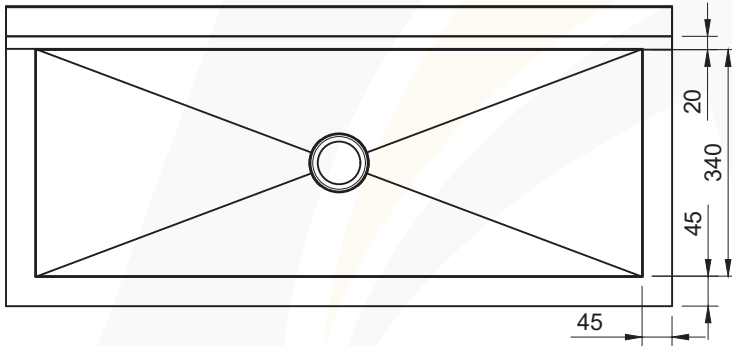


ART TROUGH

2



2.6



SKU CODE: ASS-AT

This quality custom made trough is supplied with wall mounting brackets for easy installation.

SPECIFICATIONS:

- Made from 1.2mm, 304 grade stainless steel
- Outlet position and length as required
- Standard 100mm height splashback
- 50mm outlet
- Plug and waste provided

USES:

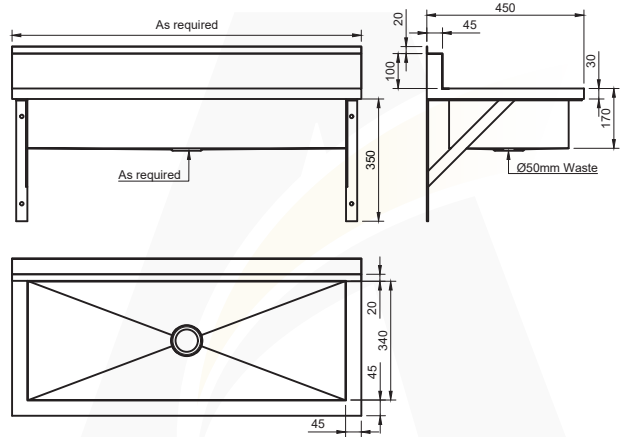
- Educational facilities
- Art Studios





SIGN-OFF FORM

Company:
Name:
Phone:
Email:
Purchase Order #:
Date:/...../.....
Signature*:
Quantity:
Length:



Stainless steel grade: 304 316 (extra charges)

ASS-AT (Art Trough)

Outlet position: Centre Left mm Right mm

(From the LEFT or RIGHT hand side to the centre of the outlet)

Tap hole: No Yes - Number of tap holes:

Tap hole size: 22mm 25mm 30mm 32mm 35mm

EXTRAS (Additional costs):

External radius corners: Yes No

Pre-plumbing: Yes No

Custom splashback height (mm):

Free standing frame height:

Tap hole position drawing in (mm) below:

**By submitting this form you declare that the details provided in this Sign-Off Form are accurate and will be used to manufacture your product. In the event that incorrect details have been provided, Advance Stainless Steel will not be held liable for these errors. All custom made orders cannot be returned and are non-refundable. The lead time is between 10-15 working days plus delivery.*